



## FilterCap

### Capsule Filter

**FilterCap** Capsule Filters are self-contained and ready to use for the removal of contaminants, particles and bacteria for bio-pharmaceutical and microelectronic industries. No adhesives or glue are used in manufacturing and all bonding is by thermal welding. **FilterCap** filters are available in T-style and in In-line configuration with different filter media.

### Features and Benefits

- Single-use filtration systems save cleaning time and validation cost.
- Available in 5", 10", 20" and 30" lengths to optimize flow rates and throughput
- Capsules are available in pre-sterilized packages
- No housing maintenance required
- High throughput
- 100% Integrity tested
- T-style and Inline versions available

### Typical Applications

#### Bio-Pharmaceutical

- Serum filtration
- Tissue culture media
- Microbiological Growth Media
- Viscous Biological Liquids
- Sterile Tank Venting

#### Microelectronics

- Metal & Oxide CMP Slurries
- Chemical Rinse Solutions
- Acids, Bases, Solvents
- Stripping Solutions
- DI Water

**swissfilter**

Filter- und Desinfektionstechnik

## Technische Informationen

### Materials of Construction

Outer shell	Gamma Stable Polypropylene		
	Hydrophilic membrane	Double layer Polyethersulfone	<b>DPS</b>
Filter Media		Single layer Polyethersulfone	<b>PES</b>
	Hydrophobic membrane	PVDF	<b>PVD</b>
		PTFE	<b>T002</b>
	Microfiber	Absolute rated high efficiency Polypropylene	
Glass Fiber		<b>GFK</b>	
Sealing material	Silicone		

### Operating conditions

Max. operating	Pressure Liquid	5,2 bar @ 0°- 60°C
		3,1 bar @ 60°C
Max. operating	Pressure Gas	5,2 bar @ 0°- 60°C
		3,1 bar @ 60°C
Sterilization	Gamma Irradiation	up to 50 kGy
	Gas	by Ethylenoxide
	Autoclave	at 121°C for 60 min. 1 cycle cannot be inline steam sterilized



### Biological Safety

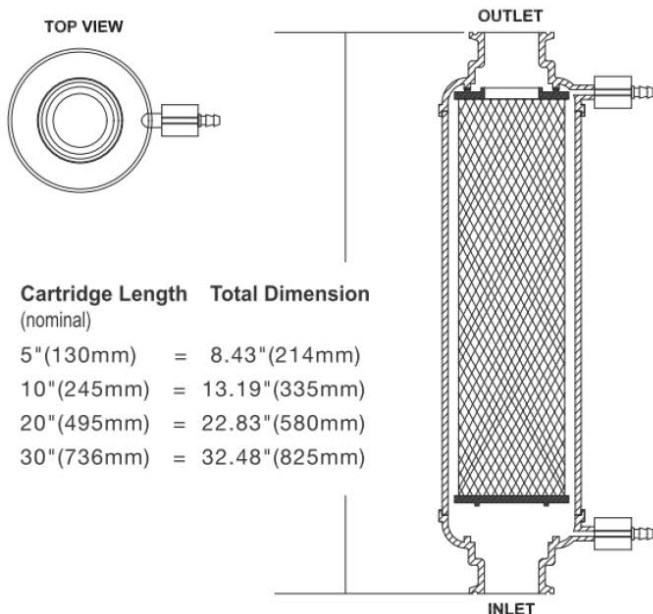
Extractable (NVR)	<30mg/10" (Test procedures: steam sterilized for 30min. @ 121°C; Then soaked in purified water for 24 hours)
Oxidability	Meets FDA requirements for Oxide Test (Test procedures: steam sterilized for 30min. @ 121°C; test sample after purified water washing)
Endotoxin	<0,25Eu/ml, according to LAL test
Material Safety	Meets USP 88, for class VI-121°C plastics

Gewerbstrasse 10, CH-5037 Muhen  
 Telefon 062 737 54 80  
 info@swissfilter.ch, www.swissfilter.ch

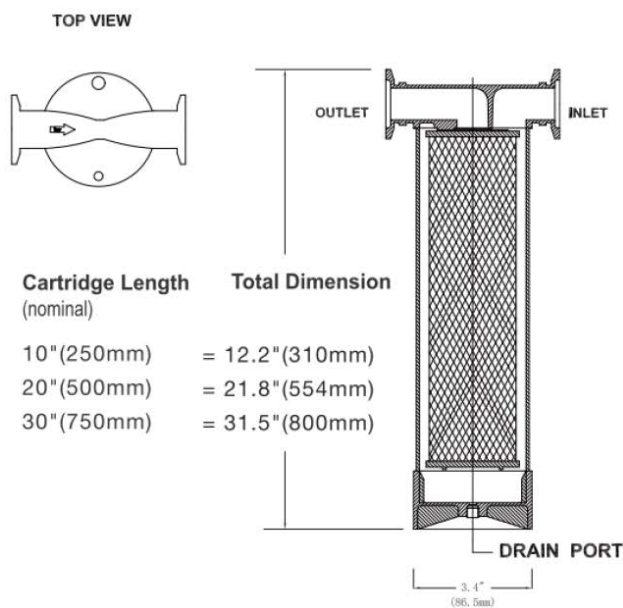
**swissfilter**  
 Filter- und Desinfektionstechnik

Technische Informationen

Dimensions



Cartridge Length (nominal)	Total Dimension
5" (130mm)	= 8.43" (214mm)
10" (245mm)	= 13.19" (335mm)
20" (495mm)	= 22.83" (580mm)
30" (736mm)	= 32.48" (825mm)



Cartridge Length (nominal)	Total Dimension
10" (250mm)	= 12.2" (310mm)
20" (500mm)	= 21.8" (554mm)
30" (750mm)	= 31.5" (800mm)

Ordering Informations

	Membrane Media	Code	Retention rate [µm]	Cartridge length inch	Code	Sterilization	Code
<b>MC-I</b>	Double layer PES	<b>DPS</b>	0,2+0,2 0,45+0,2	5"	<b>05</b>	Standard (non sterile)	<b>C</b>
[inline]	Polyethersulfone	<b>PES</b>	0,2/0,45	10"	<b>10</b>	Gamma irradiated	<b>G</b>
<b>MC-T</b>	PVDF	<b>PVD</b>	0,1/0,2/0,45/1,0	20"	<b>20</b>	Ethylene Oxide	<b>E</b>
[T-style]	PTFE	<b>T002</b>	0,01/0,2	30"	<b>30</b>		
	Polypropylene	<b>APK</b>	0,3/0,65/1,0/3/5/10				
	Glass Fiber	<b>GFK</b>	0,65/1,2				

Gewerbestrasse 10, CH-5037 Muhen  
 Telefon 062 737 54 80  
 info@swissfilter.ch, www.swissfilter.ch

**swissfilter**

Filter- und Desinfektionstechnik